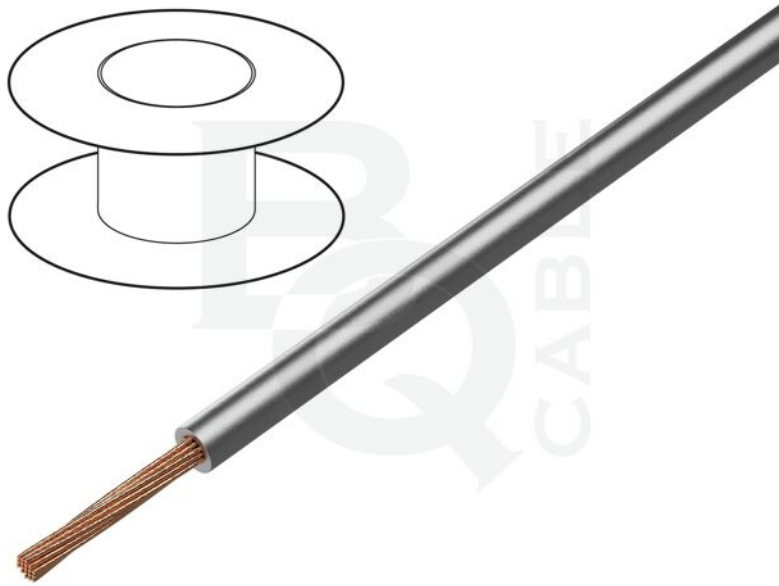


## Product card LGY1.0-SV



<b>Symbol:</b>	LGY1.0-SV
<b>Product groups:</b>	Single Core Cables

### Product specifications

<b>Type of wire:</b>	assembly
<b>Kind of wire:</b>	H05V-K, LgY
<b>Core structure:</b>	stranded
<b>Kind of core:</b>	Cu
<b>Number of cores:</b>	1
<b>Core section:</b>	1mm <sup>2</sup>
<b>Wire insulation material:</b>	PVC
<b>Insulation colour:</b>	silver metallic
<b>Rated voltage:</b>	0.3kV, 0.5kV

<b>Operating temperature:</b>	-40...105°C
<b>Package contents:</b>	100m
<b>Flexibility class:</b>	5
<b>Cable external diameter:</b>	2.1mm
<b>Cable structure:</b>	1x1mm <sup>2</sup>

## Additional information

<b>Gross weight:</b>	0.012 kg
----------------------	----------