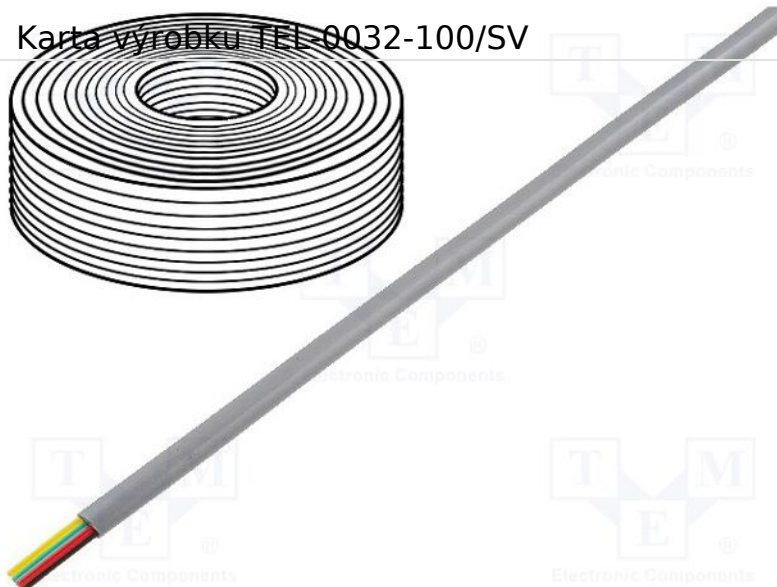


Karta výrobku TEL-0032-100/SV



Symbol:	TEL-0032-100/SV
----------------	-----------------

Skupina výrobků:	Telephone Cables
-------------------------	------------------

Parametry výrobku

Type of wire:	telecommunication cable
----------------------	-------------------------

Cable structure:	4x28AWG
-------------------------	---------

Core structure:	stranded
------------------------	----------

Number of cores:	4
-------------------------	---

Core diameter:	28AWG
-----------------------	-------

Insulation colour:	silver
---------------------------	--------

Cable outside dimensions:	2.4x4.8mm
----------------------------------	-----------

Package contents:	100m
--------------------------	------

Operating temperature:	-20...60°C
-------------------------------	------------

Kind of core:	Cu
Wire cross-section shape:	flat
Shield structure:	unshielded

Doplňková informace

Hmotnost brutto:	1.3627 kg
-------------------------	-----------