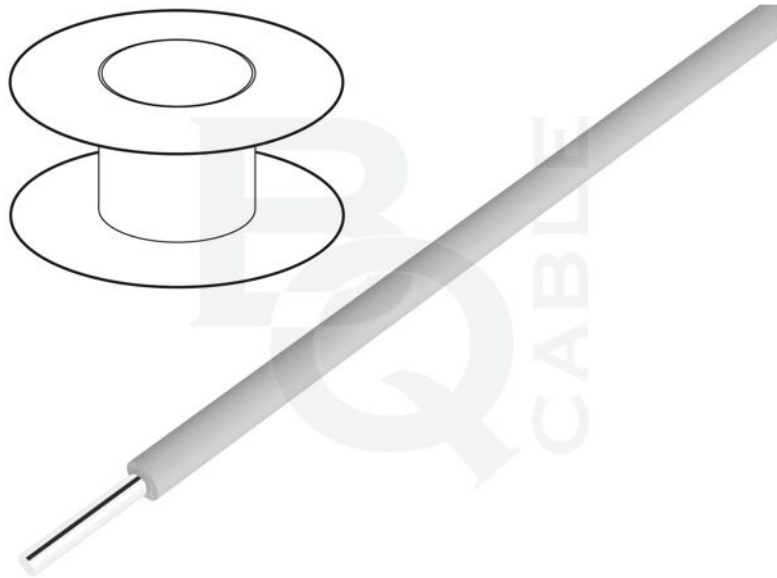


## Product card KYNAR-GY/50

---



<b>Symbol:</b>	KYNAR-GY/50
<b>Product groups:</b>	Single Core Cables

### Product specifications

<b>Type of wire:</b>	assembly
<b>Core diameter:</b>	30AWG
<b>Core structure:</b>	wire
<b>Kind of core:</b>	OFC, silver plated
<b>Number of cores:</b>	1
<b>Wire insulation material:</b>	FEP
<b>Insulation colour:</b>	grey
<b>Rated voltage:</b>	0.25kV
<b>Package contents:</b>	50m

<b>Cable external diameter:</b>	0.56mm
<b>Cable structure:</b>	1x30AWG
<b>Cable application:</b>	for wrapped connections
<b>Operating temperature:</b>	-65...200°C

## **Additional information**

<b>Gross weight:</b>	0.001 kg
----------------------	----------