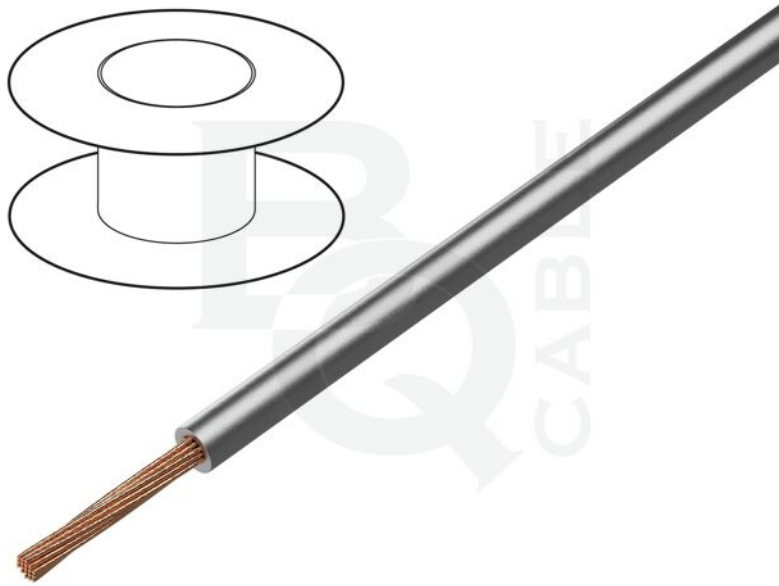


Product card LGY1.0-SV



Symbol:	LGY1.0-SV
Product groups:	Single Core Cables

Product specifications

Type of wire:	assembly
Kind of cable:	H05V-K, LgY
Core structure:	stranded
Kind of core:	Cu
Number of cores:	1
Core section:	1mm ²
Wire insulation material:	PVC
Insulation colour:	silver metallic
Rated voltage:	0.3kV, 0.5kV
Package contents:	100m

Flexibility class:	5
Cable external diameter:	2.1mm
Cable structure:	1x1mm ²
Operating temperature:	-40...105°C

Additional information

Gross weight:	0.012 kg
----------------------	----------